

# TS-1115AS/TS-1115S

## Microminiature SMT Side Actuated



### Specifications

<b>Function</b>	Momentary action
<b>Contact Arrangement</b>	1 make contact = SPST NO
<b>Terminals</b>	G and front PIP types for SMT
<b>Travel</b>	+ 0.2mm / -
<b>Life</b>	30,000 cycles

### Electrical Characteristics

<b>Max. Voltage</b>	12 VDC
<b>Max. Current DC</b>	50 mA
<b>Dielectric Strength</b>	250 VA C (1mn)
<b>Contact Resistance</b>	≤ 500 mΩ
<b>Insulation Resistance</b>	≥ 100 mΩ
<b>Bounce Time</b>	≤ 10 ms

### Environmental Characteristics

<b>Operating Temperature</b>	-40°C to 85°C
------------------------------	---------------

### Process

<b>Soldering</b>	This component is suited to the following methods: Infrared Reflow Soldering in accordance with IEC61760-1
<b>Packaging</b>	Dimensions of reels according to EIA 481B. External diameter 330 mm.

### Description

The TS-1115 series of microminiature SMT side actuated switches feature a front PIP leads option for strong shear resistance – and a reduced footprint of 3.5 x 3.0mm. The long-lasting, reliable TS-1115 is perfect for applications in the personal health diagnostics, consumer electronics and remote control fields.

### Features & Benefits

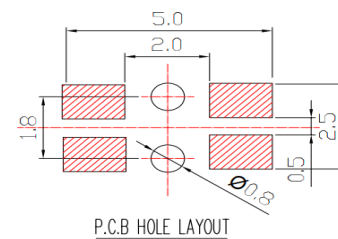
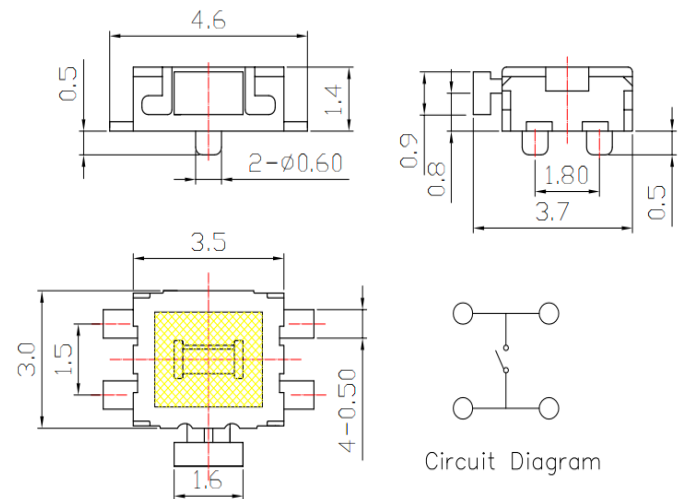
- 3.5 x 3.0 mm footprint
- Front PIP leads option for strong shear resistance
- ESD pin option
- Reduced footprint

### Applications

- Nomad devices
- Remote controls
- Personal health diagnostics
- Consumer electronics

## TS-1115S

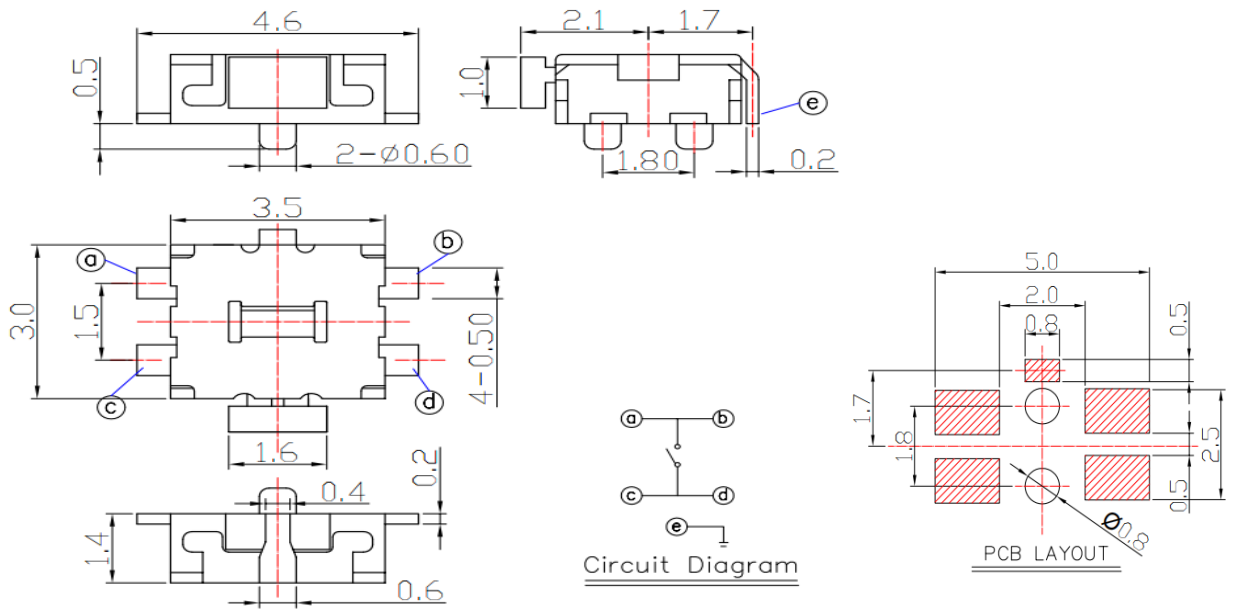
### Standard G SMT Leads with ESD and Peg options



**TS-1115AS/TS-1115S**  
**Microminiature SMT Side Actuated**

**TS-1115AS**

Standard G SMT Leads with ESD and Peg options



**Tape & Reel**

